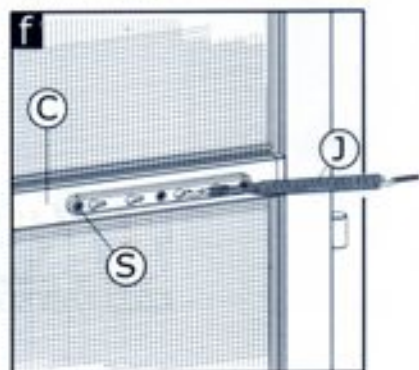
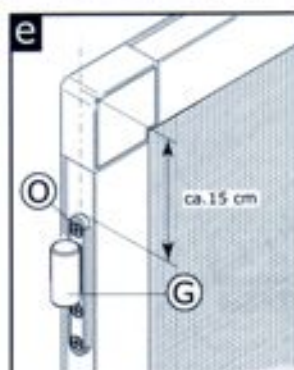
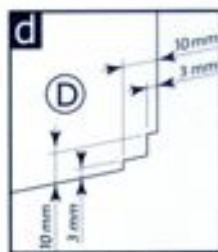
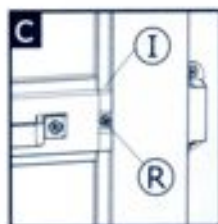
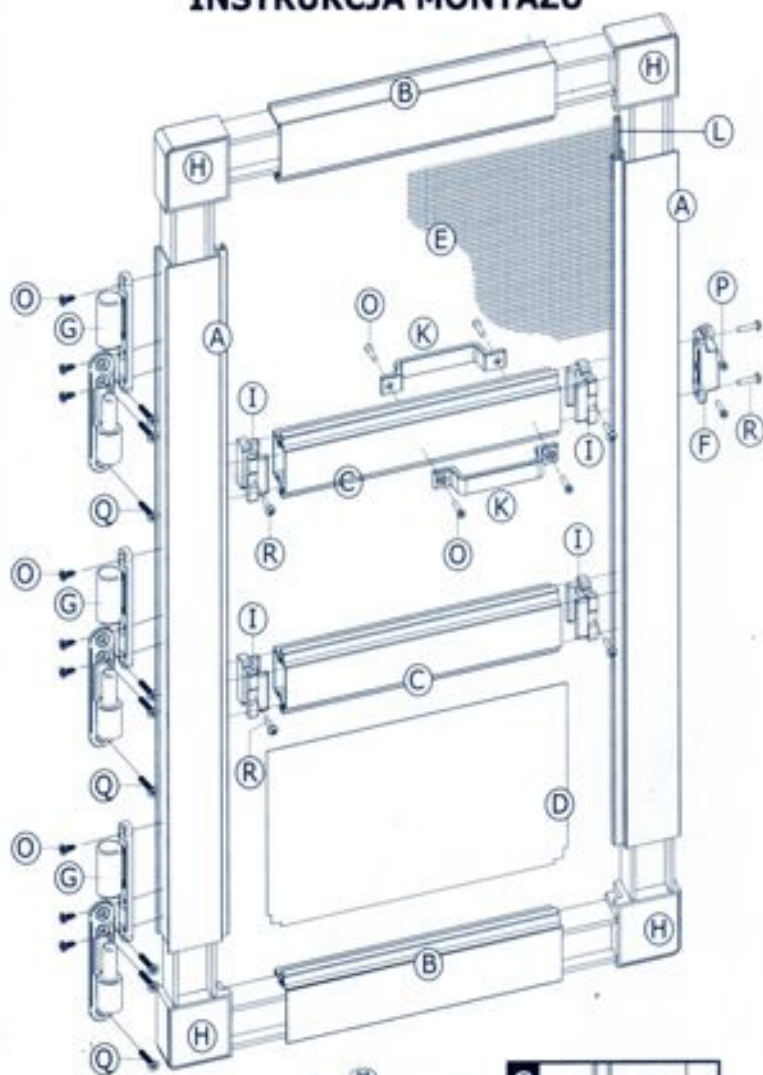


## INSTALLATION INSTRUCTIONS MONTAGEANLEITUNG INSTRUKCJA MONTAŻU



Congratulations with the purchase of your Hinged Door Screen. Please read these instructions fully before assembling and fitting your screen and keep them safe for future reference. These will help you to avoid problems during fitting.

### Inhoud

A. 2 profiles long	K. 2 aluminium handles
B. 2 profiles short	L. 8 meter spline
C. 2 centre bars	M. 1 spline roller
D. 1 kick plate	N. Tube adhesive
E. wire mesh	O. 13 Parker screws 3.5 x 9.5 mm
F. 1 magnetic catch	P. 2 screws 3 x 20 mm
G. 3 hinges	Q. 9 screws 3.5 x 20 mm
H. 4 corners	R. 6 Parker screws 2.9 x 9.5 mm
I. 4 T-pieces	S. 3 Parker screws 3.5 x 13 mm
J. 1 closure spring	

- 1 Measure the aperture of the door frame and cut the profiles in the required length. Cutting size profile A: aperture height minus 7 cm (2 x 3.5 cm; see pict. a). Cutting size profile B and C: aperture width minus 7 cm (2 x 3.5 cm; see pict. a). If you want an oversized screen frame you have to deduct less (e.g. pict. b). In this case please mind to reserve enough space for hinges and magnetic catch.
- 2 Fit the frame using the corners H. Fit 1 bar C using T-pieces I at approx. 100 cm from the bottom end of the screen door. Screw fix the centre bar, through the plastic T-pieces I with profile A using 2 Parker screws R (see pict. c). Pre drill with a 2 mm drill.
- 3 Cut the kick plate D to the proper dimensions; cutting size profile B + 16 mm. Cut 2 small squares from the corners of the bottom side of the kick plate (see pict. d). Fill the groove in the screen frame around the kick plate with the tube of adhesive N (including the 2nd bar profile C). The kick plate will now stick to the screen frame. Slide the other bar C with T-pieces I until it connects with the top side of the kick plate. Screw fix through the plastic parts I with profile A using 2 Parker screws R (see pict. c). Pre drill with a 2 mm drill.
 

**⚠ Before you can use the door screen it is advised to wait 24 hours until the adhesive (step 3) is dry.**
- 4 Fit the mesh E and spline R using the spline roller M. Use a sharp hobby knife to cut away excessive mesh.
- 5 Determine the side of the hinges G and screw fix using Parker screws O. Fit the magnetic catch F with Parkers P at the other end of the door and fit handles K using Parker screws N.
- 6 Fit the door screen to the door frame with screws Q and fit the counter part of the magnetic catch F at the door frame using screws P. Fit the closure spring with Parker screws S (see pict. f).