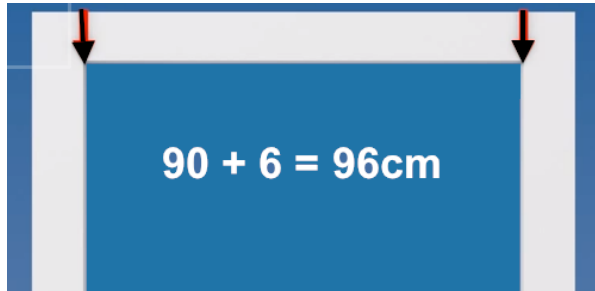
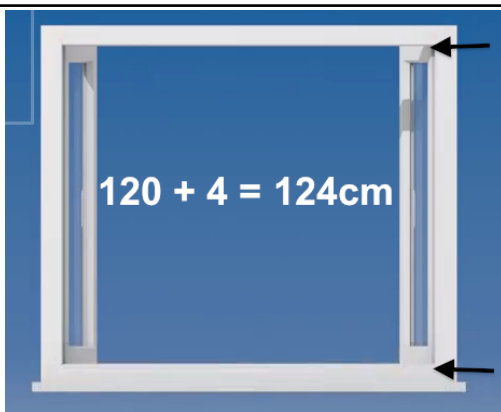


Folding Flyscreen Window 95(W) x 150cm(H) Fitting instructions
IMPORTANT NOTICE: DO NOT CUT THE STRING. Profiles are 2.9cm square.

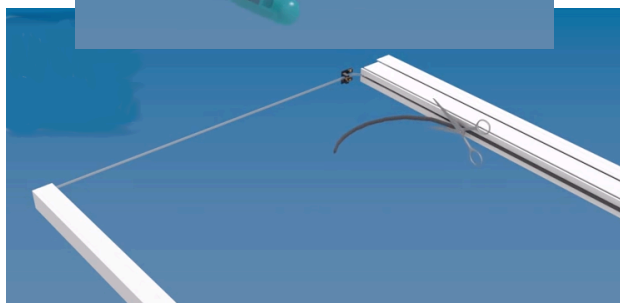
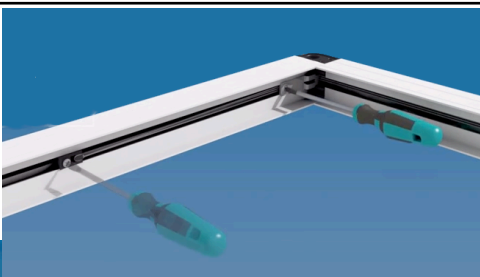
1. Measure the width from the edge of the window frame to the other side. Then add 6cm to arrive at the width of the flyscreen. Cutting the top and bottom profile to adjust the width, but ensure that you cut them together for a perfect fit.



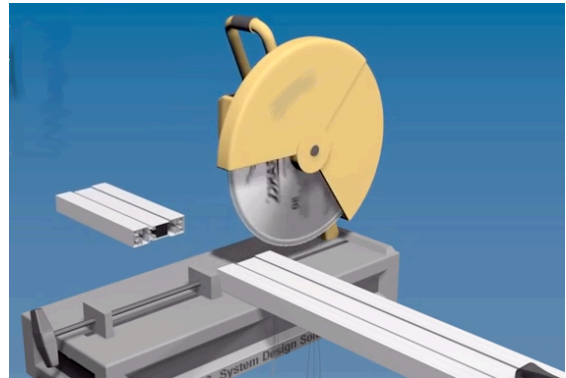
2. For the height measure the distance from the ground up to the inside edge of the window frame and add 4cm.



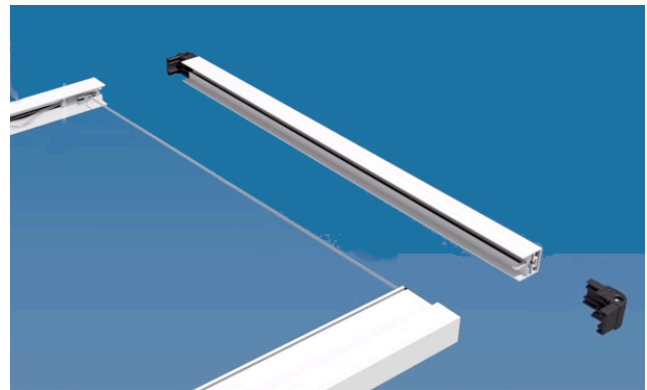
3. If you need to cut the height, then only cut at the indicated end of the profile (which contains the material) where there will be a sticker. You can cut down above the first tension string which is a maximum of approx 40cm. (THE STRING MUST NOT BE CUT) Loosen the screws on the end profile (see picture) and then move the tension strings downwards out of the way of where you want to cut and remove the plastic weatherstrip.



4. You can now cut all four profiles to adjust the height, but do not cut through string.



5. Reattach the plastic end pieces at the top of the profiles. Now you can make up the frame. Assemble the screen on the floor by inserting white plastic corners into the top and bottom profiles. You may need to tap them in with a wooden/rubber mallet, do not use a hammer.



6. Once you have assembled the flyscreen frame you can now raise it into place. This is a two person job. Position and then screw into the frame work of your window frame with the four screws provided. Now attach the plastic covers over screw holes.

